

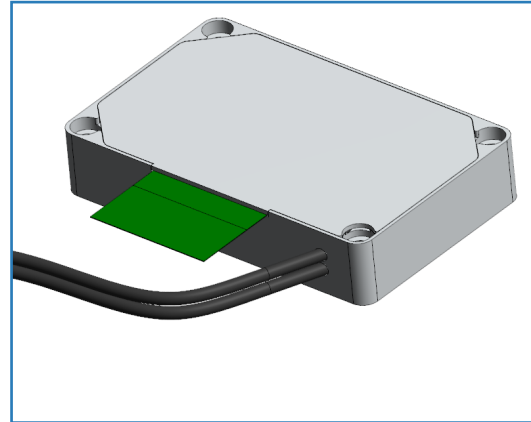
ITF 1550nm Lidar Sources - Kala 2

KEY FEATURES

- Very Compact Design
- High Peak Power
- Eye Safe (1550nm)
- Wide Temperature Range
- Low Power Consumption
- Excellent Beam Quality
- High Reliability for Harsh Environments

APPLICATIONS

- Self-Driving Vehicles
- 3D Mapping
- Distance Measurement



Laser specifications

	UNITS	MIN	TYP.	MAX	NOTES
Laser peak wavelength (PWL)	nm	1550 +/- 5			
Pulse width (FWHM)	ns	2.0		8.0	
Pulse repetition frequency (PRF)	kHz	25		5000	
Number of pluse in burst	-	1		3	
Pulse energy at minimum PRF	uJ			12.5	Total, derived spec
Average output power	W			1.0	
Optical Signal-to-Noise Ratio (OSNR)	dB	20	25		
Burst-to-burst energy variation	%			2.5	at 25°C, constant PRF
Peak power	kW			2.5	Total
Pulse (burst) output delay	ns		55	70	
Polarization	-	Random			
Beam quality (M ²)	-			1.10	By design, SM fiber
Electrical power consumption	W			12	Steady state, at 25°C
Number of output ports	-	1 or 2			
Eye safety guard band	%		10		

Mechanical and environmental specifications

	UNITS	VALUE	NOTES
Dimensions	mm	80 x 50 x 15	
Nominal operating temperature	°C	+25	non condensing
Operating temperature range	°C	-40 to +105	non condensing
Storage temperature range	°C	-40 to +125	non condensing
Warm up time	s	< 1	at 25°C

Last revised: January 2023

ORDERING INFO

ITF Technologies inc.
400 Montpellier Blvd., Montreal, QC H4N 2G7

Tel: +1 514 748 4848
Fax: +1 514 744 2080
Toll Free: +1 888 922 1044

www.itftechnologies.com
info@itftechnologies.com

ITF 1550nm Lidar Sources - Kala 1

KEY FEATURES

Very Compact Design

High Peak Power

Eye Safe (1550nm)

Wide Temperature Range

Low Power Consumption

Excellent Beam Quality

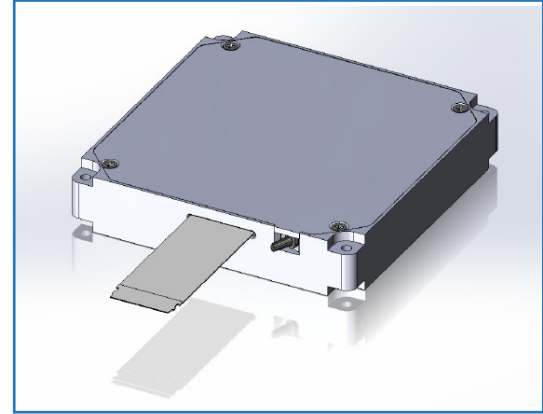
High Reliability for Harsh Environments

APPLICATIONS

Self-Driving Vehicles

3D Mapping

Distance Measurement



Laser specifications

	UNITS	MIN	TYP.	MAX	NOTES
Laser peak wavelength (PWL)	nm	1550 +/- 5			
Pulse width (FWHM)	ns	2.0		8.0	
Pulse repetition frequency (PRF)	kHz	25		5000	
Number of pluse in burst	-	1		3	
Pulse energy at minimum PRF	uJ			25	Total, derived spec
Average output power	W			1.5	
Optical Signal-to-Noise Ratio (OSNR)	dB	20	25		
Burst-to-burst energy variation	%			2.5	at 25°C, constant PRF
Peak power	kW			5.0	Total
Pulse (burst) output delay	ns		55	70	
Polarization	-	Random			
Beam quality (M ²)	-			1.10	By design, SM fiber
Electrical power consumption	W			8	Steady state, at 25°C
Number of output ports	-	1 or 2			

Mechanical and environmental specifications

	UNITS	VALUE	NOTES
Dimensions	mm	100 x 100 x 20	
Nominal operating temperature	°C	+25	non condensing
Operating temperature range	°C	-40 to +105	non condensing
Storage temperature range	°C	-40 to +125	non condensing
Warm up time	s	< 1	at 25°C

Last revised: January 2023

ORDERING INFO

ITF Technologies inc.
400 Montpellier Blvd., Montreal, QC H4N 2G7

Tel: +1 514 748 4848
Fax: +1 514 744 2080
Toll Free: +1 888 922 1044

www.itftechnologies.com
info@itftechnologies.com